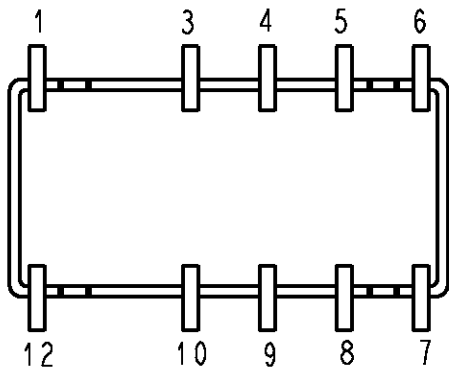
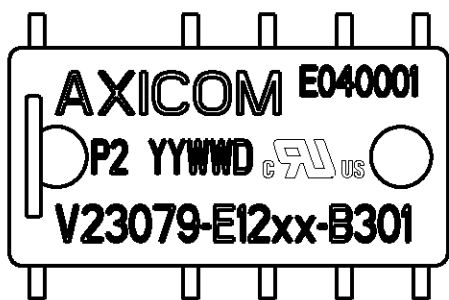
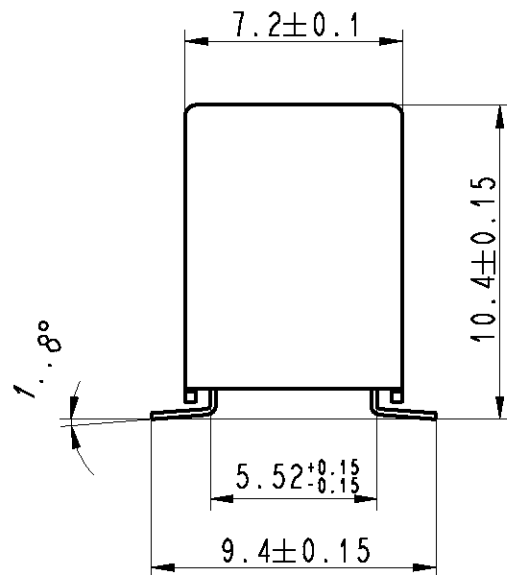
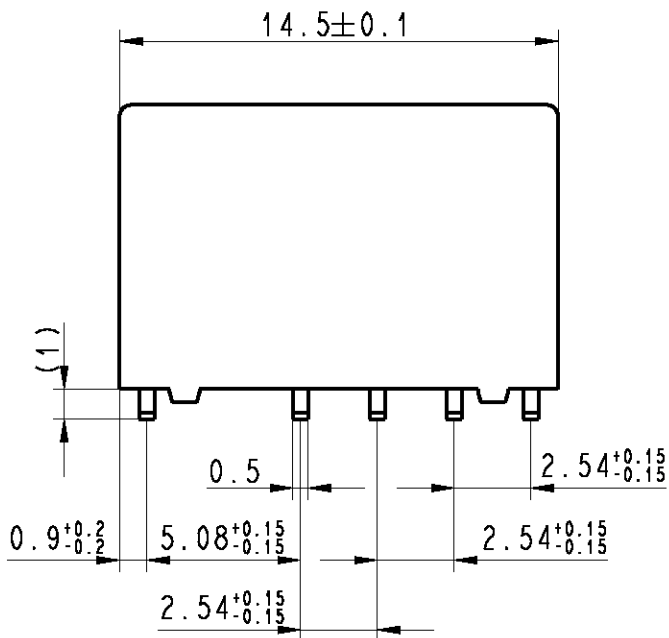


LOC	DIST	REVISIONS					
		P	LTR	DESCRIPTION	DATE	DWN	APVD
HJ	-		C2	REVISED PER ECO-11-005150	25MAR11	RK	HMR



Relay - bottom view



xx = Relay type
YYWW = Date code

DRAWING ALIAS C23303-A079-A004

RELEASED FOR PUBLICATION

THIS DRAWING IS UNPUBLISHED.

ALL RIGHTS RESERVED.

BY -
© COPYRIGHT

DIMENSIONS: mm	DWN	Korytak	02Jun2004	MATERIAL	-	FINISH	-								
	TOLERANCES UNLESS OTHERWISE SPECIFIED: DIN 7168-m	CHK	Korytak	02Jun2004	TE Connectivity										
APVD		Korytak	02Jun2004												
PRODUCT SPEC		-			NAME			P2-Relay SMT W Dimensions							
0 PLC ±-	APPLICATION SPEC	-			SIZE	A4	CAGE CODE	00779	DRAWING NO	C-1393788-7	RESTRICTED TO	-			
1 PLC ±	WEIGHT	-			CUSTOMER DRAWING			SCALE	4:1	SHEET	1	OF	1	REV	C2
2 PLC ±															
3 PLC ±															
4 PLC ±															
ANGLES ±-															